

RESIDENTIAL POST CONSTRUCTION

Trusses: Yes _____ No _____
 If no fill out rafter information below

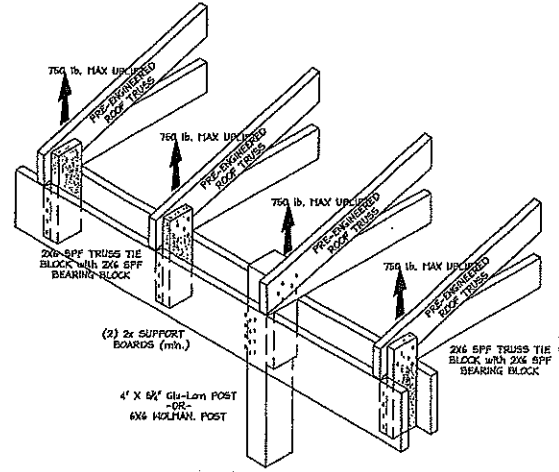
Rafter Size _____

Rafter Spacing _____

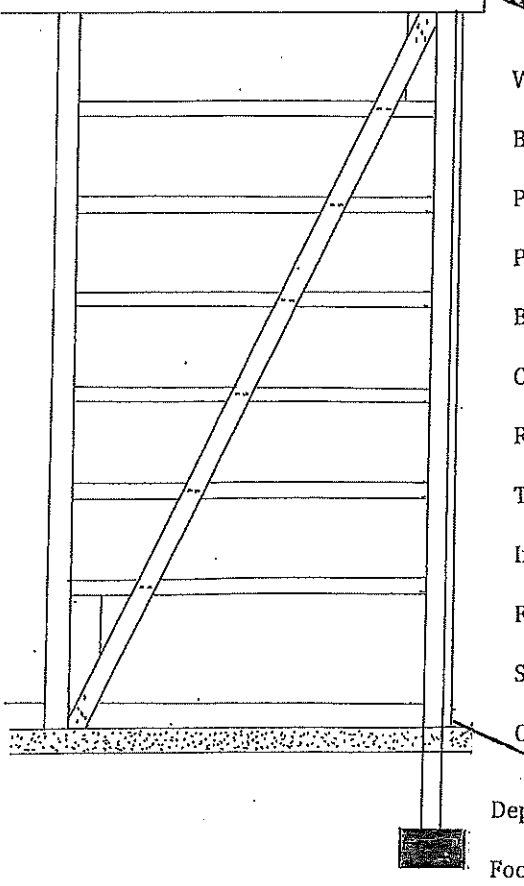
Truss/Rafter Block Size _____

Roof Covering _____

Roof Deck _____



Truss or Rafter ties Required



Carrier Size _____
 See chart below for
 Quantity & size of carrier

Wall Girts _____

Bracing Type _____

Pole Size _____

Pole Spacing _____

Bracing Size _____

Ceiling Height _____

Roof Peak Height _____

Type of siding _____

Insulation Material _____

Finish Material _____

Skirt board size _____

Concrete Slab Floor Thickness _____

Finish grade level
 Depth below grade _____

Footing width _____ Footing Height _____

See chart below for footing height & width

CARRIER SIZES FOR POLE BUILDINGS

THIS IS FOR SPRUCE-PINE-FIR #1 OR BETTER, DRESSED LUMBER

WIDTH OF BUILDING	POLE SPACING FOR ONE STORY BUILDINGS		
	4 FEET	6 FEET	8 FEET
16 FEET	2-2"X4"	2-2"X6"	2-2"X8"
20 FEET	2-2"X6"	2-2"X8"	2-2"X8"
24 FEET	2-2"X6"	2-2"X8"	2-2"X10"
28 FEET	2-2"X8"	2-2"X10"	A*2-2"X12"
32 FEET	2-2"X8"	A*2-2"X12"	A*2-2"X12"
36 FEET	2-2"X8"	A*2-2"X12"	C*3-2"X12"
40 FEET	2-2"X10"	B*3-2"X10"	C*3-2"X12"
44 FEET	2-2"X10"	B*3-2"X10"	4-2"X10"
48 FEET	A*2-2"X12"	C*3-2"X12"	4-2"X12"
52 FEET	A*2-2"X12"	C*3-2"X12"	4-2"X12"

A* 3-2"X10" MAY BE USED INSTEAD OF 2-2"X12"

B* 4-2"X8" MAY BE USED INSTEAD OF 3-2"X10"

C* 4-2"X10" MAY BE USED INSTEAD OF 3-2"X12"

FOOTINGS SIZES FOR POLE BUILDINGS

THIS IS FOR 2500# PER SQUARE FOOT SOIL CAPACITY

Using an average of soils and roof load for Osceola County

50# SNOW LOAD

WIDTH OF BUILDING	POLE SPACING FOR ONE STORY BUILDINGS		
	4 FEET	6 FEET	8 FEET
16 FEET			9"H X18"W
20 FEET		9"H X18"W	9"H X 18"W
24 FEET		9"H X18"W	9"H X 18"W
28 FEET		9"H X 18"W	10"H X20"W
32 FEET		9"H X19"W	10"H X20"W
36 FEET		10"H X20"W	10"H X 20"W
40 FEET	9"H X18"W	10"H X21"W	12"H X 24"W
44 FEET	9"H X18"W	11"H X22"W	13"H X26"W
48 FEET	9"H X19"W	11"H X23"W	14"H X28"W
52 FEET	10"H X20"W	12"H X24"W	14"H X28"W

Use **ONLY** galvanized nails in all treated lumber

Install bracing in **ALL (4) CORNERS** in both directions.
 Pole spacing less than 4' **Z BRACING**
 Pole spacing less than 8' **K BRACING**
 8' cavity use **DIAGONAL BRACING**

SPECIAL NOTE

BUILDINGS WITH POST SPACED 8ft. ON CENTER AND A WALL HEIGHT BETWEEN 12ft. AND 16ft. SHALL USE 6"X6" POST

80# bag of sacrete of 2 1/2 50# bag of sacrete mixed will yield approximately one cubic foot of concrete

Install bracing in ALL (4) CORNERS in both directions.
 Pole spacing less than 4' Z BRACING
 Pole spacing less than 8' K BRACING
 8' cavity use DIAGONAL BRACING

Use ONLY galvanized nails in
 all treated lumber

